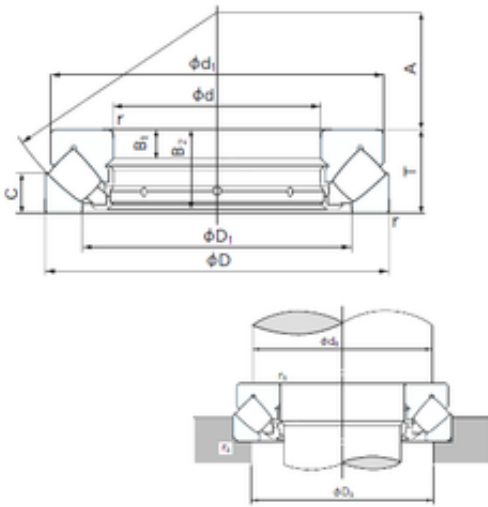




NTN Bearing de Mexico, S.A.



85 mm x 150 mm x 13 mm NACHI 29317E
thrust roller bearings

Bearing No. 29317E

29317E Bearing 2D drawings and 3D CAD models

Size	85x150x39 mm
Bore Diameter	85 mm
Outer Diameter	150 mm
Width	39 mm
d	85 mm
D	150 mm
T	39 mm
d1	143.5 mm
r min.	1.5 mm
A	50 mm
B1	13 mm
B2	37 mm
C	19 mm
D1	114 mm
da min.	115 mm
Da max.	135 mm
ra max.	1.5 mm
Weight	2.87 Kg
Basic dynamic load rating (C)	293 kN
Basic static load rating (C0)	990 kN
Bore Type	Cylindrical Bore
Enclosure	Open
Configuration	Single Row
Bore Size	85 mm
Outside Diameter	150 mm



NTN Bearing de Mexico, S.A.

Fillet Radius/Chamfer	1.5 mm
Width	39 mm
Dynamic Load Rating	293,000 N
Static Load Rating	990,000 N
Limiting Speed - Oil	2,700 rpm
B	13 mm
da (min)	115 mm
Da (max)	135 mm
ra (max)	1.5 mm