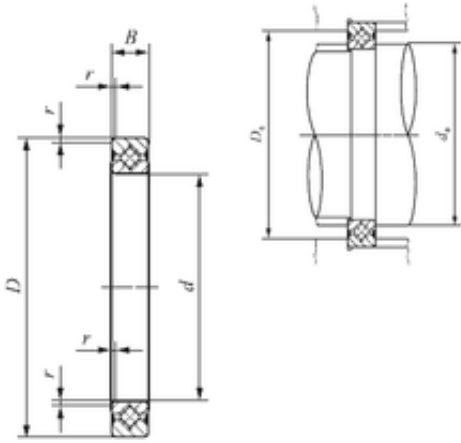




## NTN Bearing de Mexico, S.A.

180 mm x 206 mm x 13 mm IKO CRBS 18013 V thrust roller bearings

Bearing No. CRBS 18013 V



CRBS 18013 V Bearing 2D drawings and 3D CAD models

Size	180x206x13 mm
Bore Diameter	180 mm
Outer Diameter	206 mm
Width	13 mm
d	180 mm
D	206 mm
B	13 mm
r min.	0.6 mm
Da	199 mm
da	186 mm
Weight	0,71 Kg
Basic dynamic load rating (C)	28,6 kN