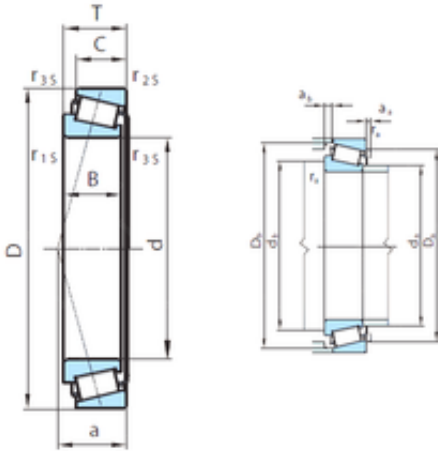




NTN Bearing de Mexico, S.A.

409,575 mm x 546,1 mm x 87,312 mm PSL PSL
612-329 tapered roller bearings



Bearing No. PSL 612-329

Size	409.575x546.1x87.312 mm
Bore Diameter	409,575 mm
Outer Diameter	546,1 mm
Width	87,312 mm
d	409,575 mm
D	546,1 mm
T	87,312 mm
B	87,312 mm
C	68,262 mm
a	109,4 mm
r min.	6,4 mm
r2 min.	6,4 mm
r3 min.	0,6 mm
da max	431 mm
Da min	496 mm
Da max.	518,1 mm
db min	440 mm
Db min.	528 mm
Weight	54,6 Kg
Basic dynamic load rating (C)	1360 kN
Basic static load rating (C0)	3230 kN
(Grease) Lubrication Speed	440 r/min
(Oil) Lubrication Speed	620 r/min
Calculation factor (e)	0,45
Calculation factor (Y)	1,34

PSL 612-329 Bearing 2D drawings and 3D CAD models



NTN Bearing de Mexico, S.A.