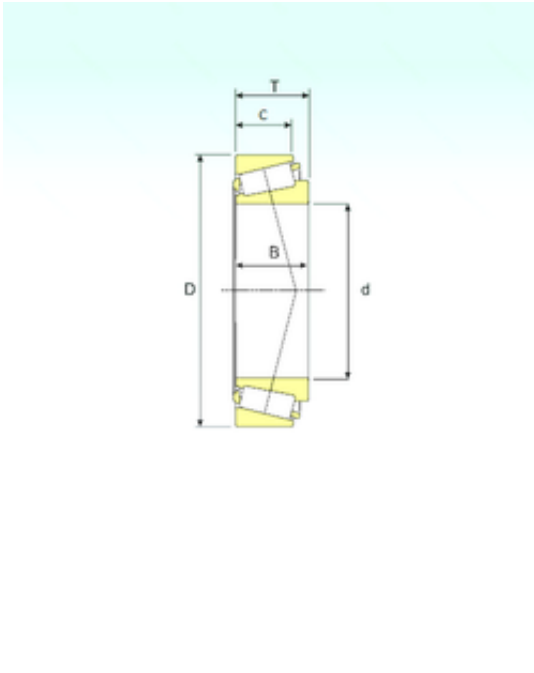




# NTN Bearing de Mexico, S.A.



1380/1328 Bearing 2D drawings and 3D CAD models

22,225 mm x 52,388 mm x 26,975 mm ISB  
1380/1328 tapered roller bearings

Bearing No. 1380/1328

Size	22.225x52.388x19.368 mm
Bore Diameter	22,225 mm
Outer Diameter	52,388 mm
Width	19,368 mm
d	22,225 mm
D	52,388 mm
T	19,368 mm
B	26,975 mm
C	22,225 mm
Weight	0,2 Kg
Basic dynamic load rating (C)	40 kN
Basic static load rating (C0)	43 kN
(Grease) Lubrication Speed	10800 r/min