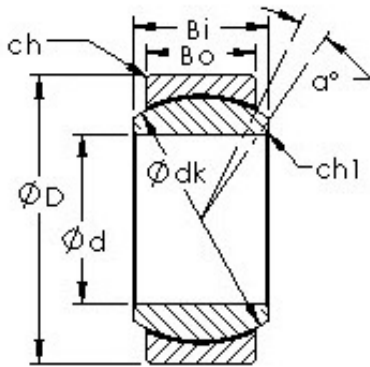




NTN Bearing de Mexico, S.A.



AST GE35ET/X plain bearings

Bearing No. GE35ET/X

Bore Diameter	35 mm
Outer Diameter	55 mm
Bearing Type	plain
Bore Dia (d)	35.0000
Outer Dia (D)	55.0000
Outer Width (Bo)	20.0000
Inner Width (Bi)	25.0000
Dynamic Load Rating (Cr)	140,000
Static Load Rating (Cor)	338,000
Max. shaft corner radius, or 45 deg. chamfer (ch1)	0.600
Max. housing corner radius, or 45 deg. chamfer (ch)	1.000
Spherical Diameter (dk or Dk)	47.000
Mis-alignment Angle (a deg.)	6
Weight (g)	228.00
Material	Inner ring and outer ring made from stainless steel

GE35ET/X Bearing 2D drawings and 3D CAD models