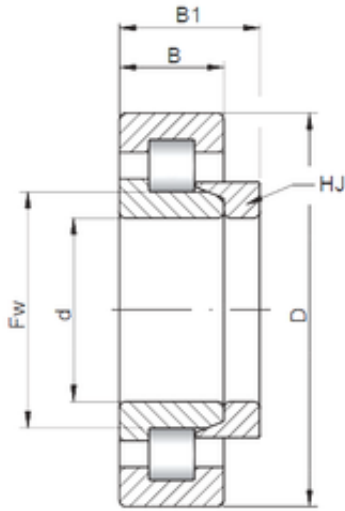




NTN Bearing de Mexico, S.A.



320 mm x 480 mm x 74 mm ISO NH1064
cylindrical roller bearings

Bearing No. NH1064

Size	320x480x74 mm
Bore Diameter	320 mm
Outer Diameter	480 mm
Width	74 mm
d	320 mm
D	480 mm
B	74 mm
C	74 mm
B1	19 mm
B2	36 mm

NH1064 Bearing 2D drawings and 3D CAD models