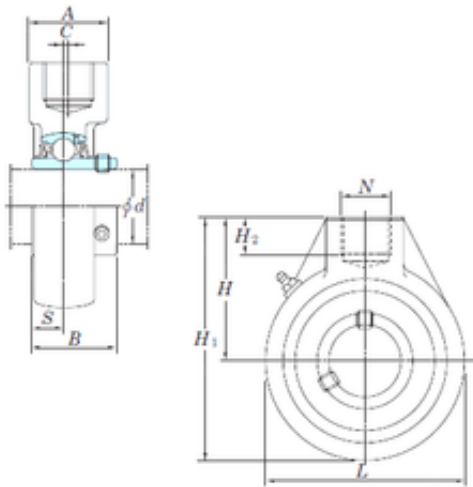




# NTN Bearing de Mexico, S.A.

## KOYO UCHA207-23 bearing units

Bearing No. UCHA207-23



UCHA207-23 Bearing 2D drawings and 3D CAD models

|                               |            |
|-------------------------------|------------|
| Bore Diameter                 | 36,5125 mm |
| Width                         | 42,9 mm    |
| d                             | 36,5125 mm |
| A                             | 40 mm      |
| B                             | 42,9 mm    |
| H                             | 70 mm      |
| H1                            | 116 mm     |
| H2                            | 19 mm      |
| L                             | 92 mm      |
| S                             | 17,5 mm    |
| Bolt (G)                      | PF 3/4     |
| Weight                        | 1,2 Kg     |
| Basic dynamic load rating (C) | 25,7 kN    |
| Basic static load rating (C0) | 15,4 kN    |