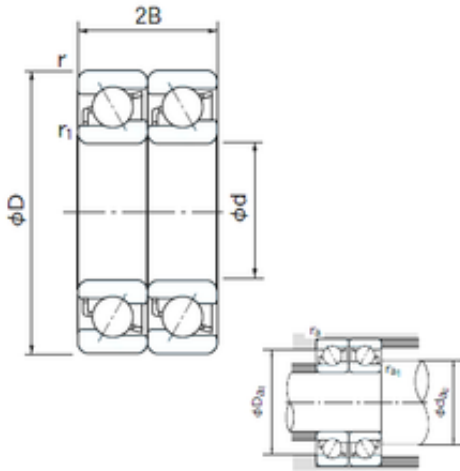




NTN Bearing de Mexico, S.A.



40 mm x 80 mm x 18 mm NACHI 7208DT
angular contact ball bearings

Bearing No. 7208DT

7208DT Bearing 2D drawings and 3D CAD models

Size	40x80x18 mm
Bore Diameter	40 mm
Outer Diameter	80 mm
Width	18 mm
d	40 mm
D	80 mm
B	18 mm
C	18 mm
Angle (°)	30 °
a	8.3 mm
r min.	1.1 mm
r1 min.	0.6 mm
2B	36 mm
da min.	45 mm
Da max.	75 mm
ra max.	0.6 mm
Weight	0.380 Kg
Basic dynamic load rating (C)	57,5 kN
Basic static load rating (C0)	50,5 kN
(Grease) Lubrication Speed	6000 r/min
Bore Type	Cylindrical Bore
Enclosure	Open
Configuration	Duplex
Bore Size	40 mm
Outside Diameter	80 mm



NTN Bearing de Mexico, S.A.

Width	18 mm
Fillet Radius/Chamfer	1.1 mm
r1	0.6 mm
Dynamic Load Rating	57,500 N
Static Load Rating	50,500 N
Limiting Speed - Grease	6,000 rpm
Limiting Speed - Oil	8,000 rpm
da1 (min)	47 mm
da2 (min)	45 mm
Da1 (max)	73 mm
Da2 (max)	75 mm
ra (max)	1 mm
ra1 (max)	0.6 mm